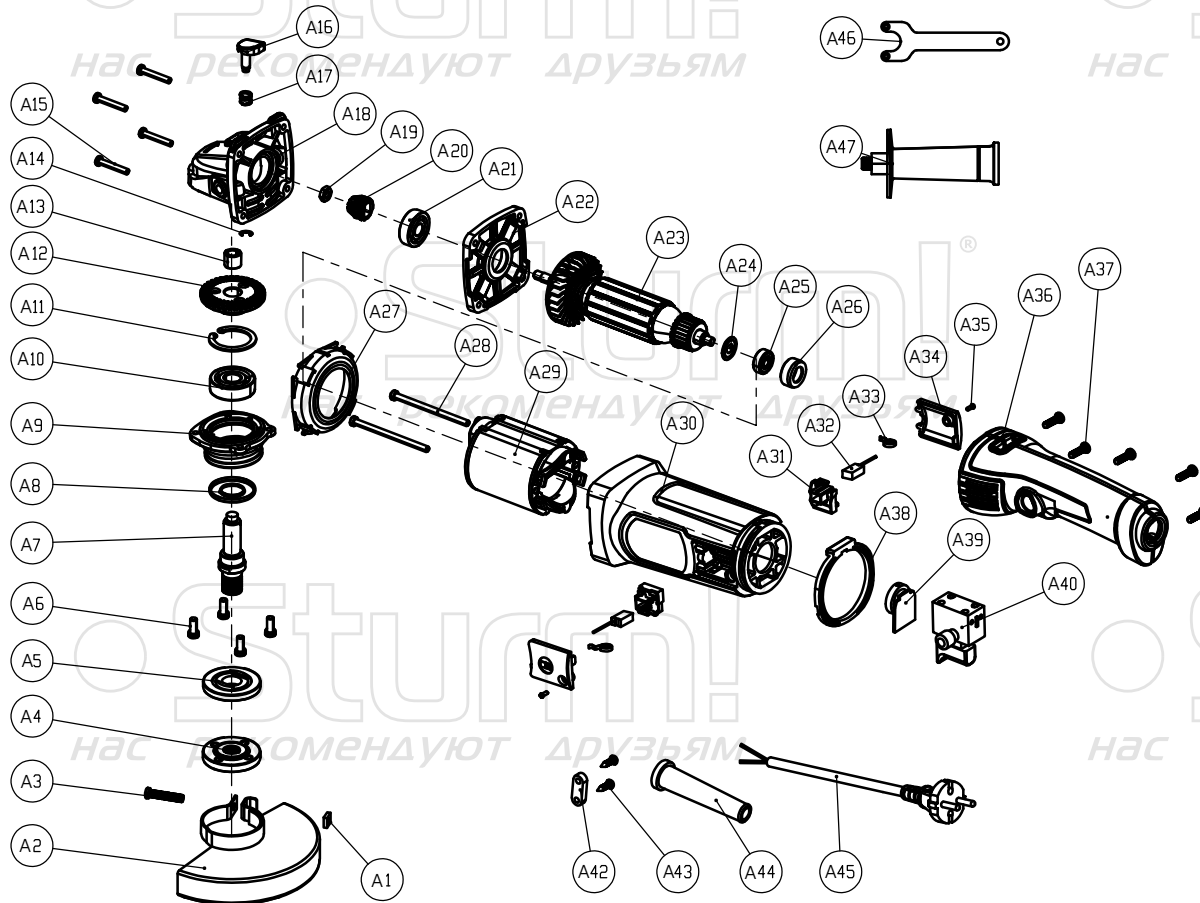


# AG9112



NO	DESCRIPTION	NO	DESCRIPTION
A1	NUT M5	A24	RING
A2	WHEEL GUARD	A25	BEARING 607RS
A3	M5X25 SCREW	A26	BEARING BUSH
A4	UP PLATE	A27	FAN RING
A5	DOWN PLATE	A28	SCREW ST4X65
A6	SCREW M4X14	A29	STATOR
A7	OUTPUT SHAFT	A30	HOUSING
A8	DUST COVER	A31	BRUSH HOLDER
A9	FRONT COVER	A32	CARBON BRUSH
A10	BEARING 6021	A33	COIL SPRING
A11	RING $\Phi$ 32	A34	BASE COVER
A12	BIG GEAR	A35	SCREW
A13	BUSH BEARING	A36	HANDLE
A14	RING $\Phi$ 12	A37	SCREW
A15	SCREW	A38	FIX HOLDER
A16	SELF-LOCK	A39	ADJUST PCB
A17	SPRING	A40	SWITCH
A18	GEARBOX	A42	PRESSING PLATE
A19	NUT	A43	SCREW
A20	PINION	A44	PROTECT SLEEVE
A21	BEARING629	A45	CABLE
A22	MIDDLE COVER	A46	WRENCH
A23	ROTOR	A47	SIDE HANDLE

AG9112-EX-RU240828-3 VER 2.1